



BANQUETS



BOTTLEWORKS
HOTEL



SAMUELSON ROOM

1,170 SQ FT - 30' X 39'

Inventor of the contour Coca-Cola bottle.

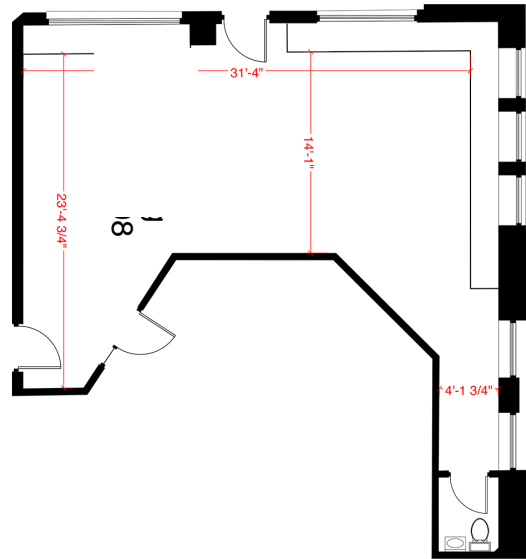
ROUND	88
RECEPTION	120
CLASSROOM	50
U-SHAPE	24
HOLLOW SQUARE	28
CRESCENT ROUNDS	65
THEATRE	126
BOARDROOM	20



THE CLUB ROOM

690 SQ FT - 31.5' X 30'

Step inside the room where all the distribution routes were plotted and drawn for the fleet of Coca Cola delivery trucks. Rumor has it, the room's locked safe also housed the secret Coke formula.



ROUND	24
RECEPTION	45
BOARDROOM	16

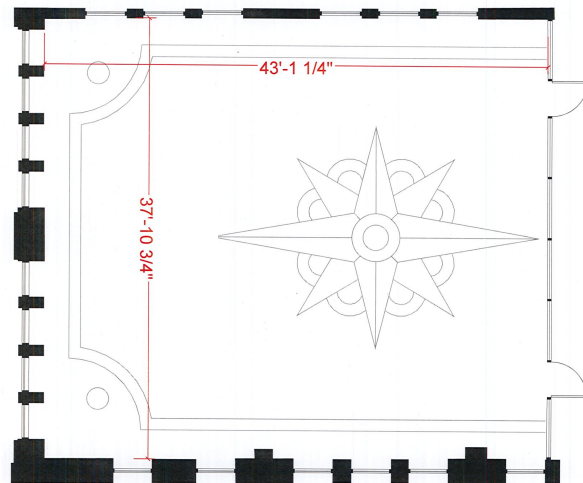


THE LIBRARY

1,634 SQ FT • 38' X 43'

The Library is Bottleworks Hotel's largest indoor event and banquet space, with flexible settings for your guests on the hotel's second floor. Though it's spacious and filled with natural light, bookshelves crafted in dark wood help to provide an intimate setting for daytime events. The space, complete with the original terrazzo floor and book-lined shelves, greets guests with a historymade-modern vibe, perfect for parties, dinners and receptions.

ROUND	96
RECEPTION	190
CLASSROOM	64
U-SHAPE	34
HOLLOW SQUARE	40
THEATRE	180
BOARDROOM	24

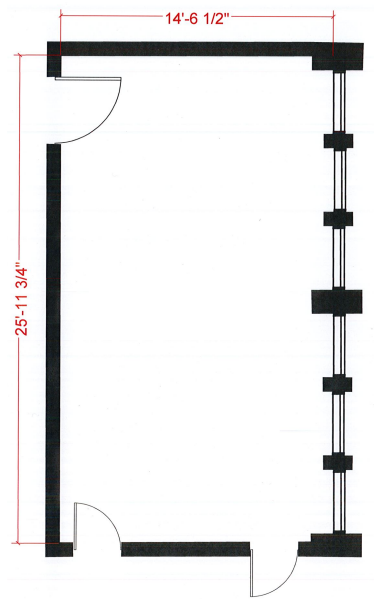


JAMES BOARDROOM

377 SQ FT - 14.5' X 26'

The James Boardroom is named after one of the original Coca Cola bottling plant's first owners; James Yuncker. The space was once home to his office.

ROUND	24
RECEPTION	35
CLASSROOM	8
U-SHAPE	8
HOLLOW SQUARE	10
THEATRE	30
BOARDROOM	14



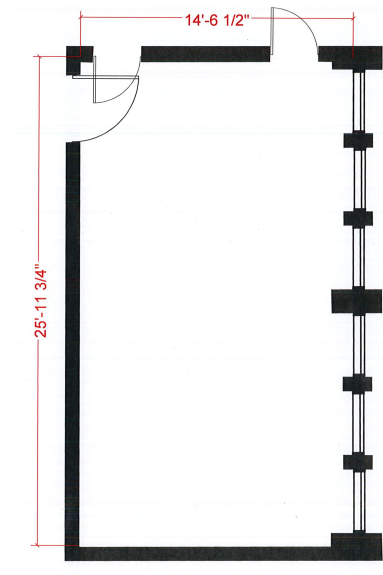


LEE BOARDROOM

377 SQ FT - 14.5' X 26'

The Lee Boardroom is named after one of the original Coca Cola bottling plant's first owners; Lee Yuncker. The space was once home to his office.

ROUND	24
RECEPTION	35
CLASSROOM	8
U-SHAPE	8
HOLLOW SQUARE	10
THEATRE	30
BOARDROOM	14

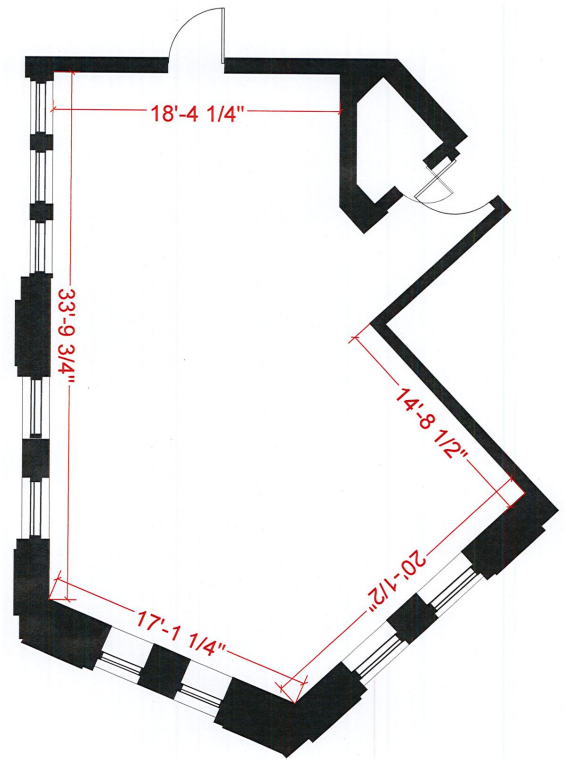


YUNKER ROOM

771 SQ FT - 23' X 33.5'

The Yuncker brothers bought the Coca-Cola franchise for the Indianapolis area and created the Coca-Cola Bottling Works of Indianapolis in 1915.

ROUND	56
RECEPTION	90
CLASSROOM	24
U-SHAPE	20
HOLLOW SQUARE	20
THEATRE	80
BOARDROOM	20

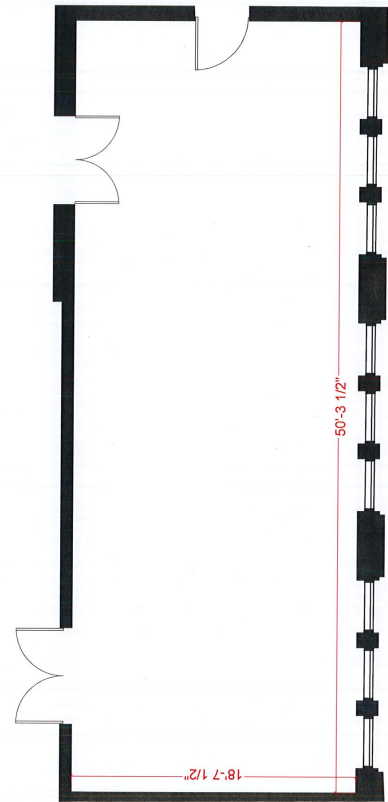


PRESTON ROOM

925 SQ FT • 18.5' X 50'

This room is named after Preston Hunter from Robush & Hunter Architects who helped design the main building along with many other downtown Indianapolis landmarks.

ROUND	72
RECEPTION	90
CLASSROOM	40
U-SHAPE	24
HOLLOW SQUARE	28
THEATRE	100
BOARDROOM	28

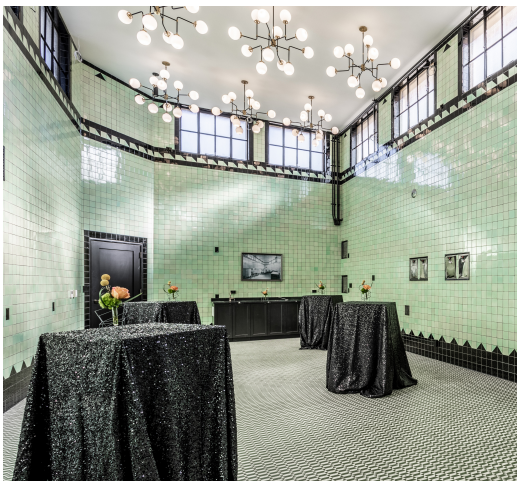
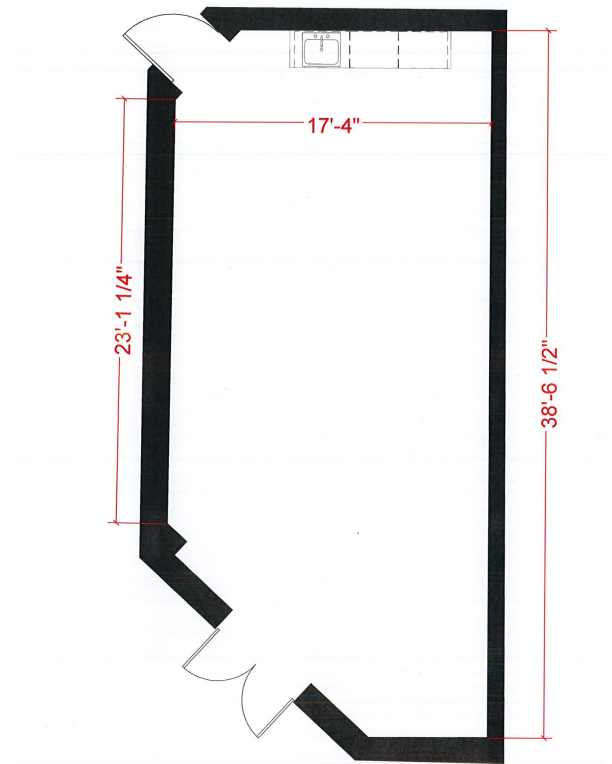


THE LAB

578 SQ FT - 17.5' X 33'

The Lab is where all the newest Coca Cola concoctions and recipes were developed and tasted. This space essentially served as the Midwest innovation center for Coke in the early 1900s.

ROUND	40
RECEPTION	60
THEATRE	55



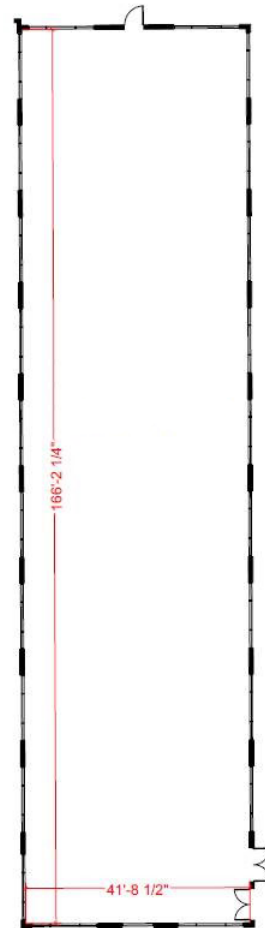


GALLERY COURTYARD

5,628 SQ FT - 42' X 134'

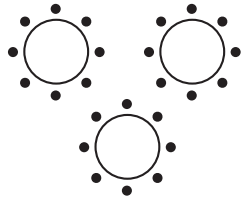
The Gallery Courtyard is an open-air event space in the heart of Bottleworks Hotel. From romantic ceremony to all-out dance party under the stars, this space is a sleek, modern option for couples looking to say 'I do' in style.

ROUND	200
RECEPTION	400
CLASSROOM	184
THEATRE	300

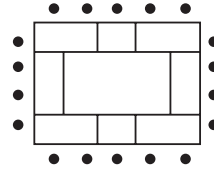




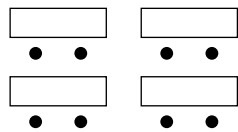
BANQUET SET-UP



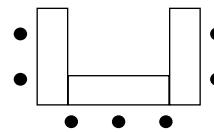
ROUND



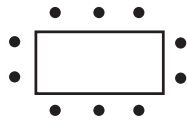
HOLLOW SQUARE



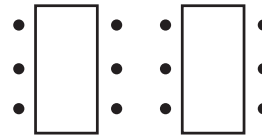
CLASSROOM



U-SHAPED



BOARDROOM



RECEPTION



THEATER

Bottleworks Hotel showcases the best of Indianapolis,
where you can experience a new way to stay.